

LoanBroker Architecture

By: Kurt Stam (kurt.stam@jboss.com)

JBoss ESB JBoss Labs Home Page: <http://labs.jboss.com/portal/jbossesb>

JBoss ESB Developer Community Forums:
<http://www.jboss.com/index.html?module=bb&op=viewforum&f=220>

```
#####  
# JBoss, Home of Professional Open Source  
# Copyright 2006, JBoss Inc., and individual contributors as indicated  
# by the @authors tag. See the copyright.txt in the distribution for a  
# full listing of individual contributors.  
#  
# This is free software; you can redistribute it and/or modify it  
# under the terms of the GNU Lesser General Public License as  
# published by the Free Software Foundation; either version 2.1 of  
# the License, or (at your option) any later version.  
#  
# This software is distributed in the hope that it will be useful,  
# but WITHOUT ANY WARRANTY; without even the implied warranty of  
# MERCHANTABILITY or FITNESS FOR A PARTICULAR PURPOSE. See the GNU  
# Lesser General Public License for more details.  
#  
# You should have received a copy of the GNU Lesser General Public  
# License along with this software; if not, write to the Free  
# Software Foundation, Inc., 51 Franklin St, Fifth Floor, Boston, MA  
# 02110-1301 USA, or see the FSF site: http://www.fsf.org.  
#####
```

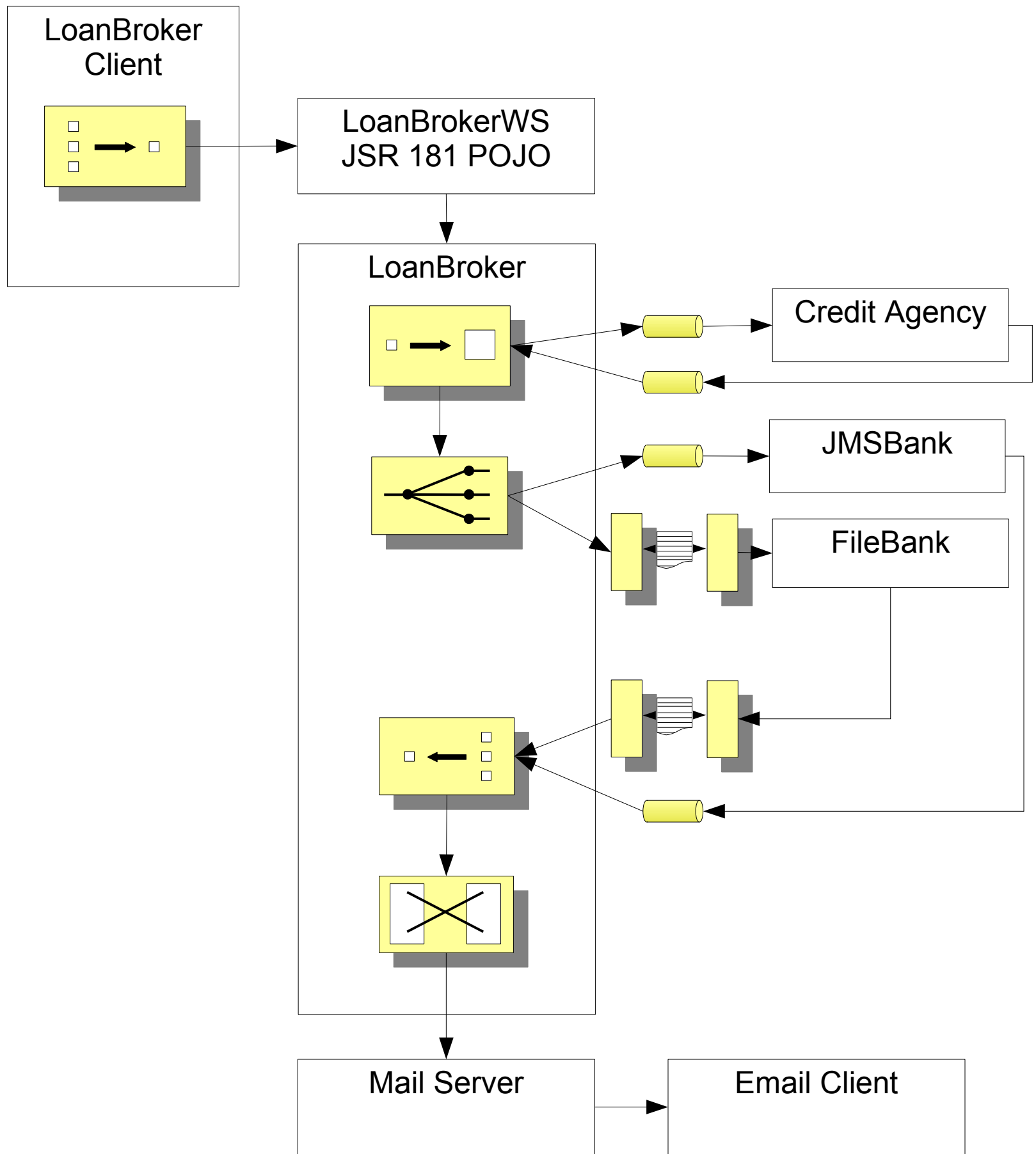


Figure 1. JBossESB LoanBroker Logical Architecture

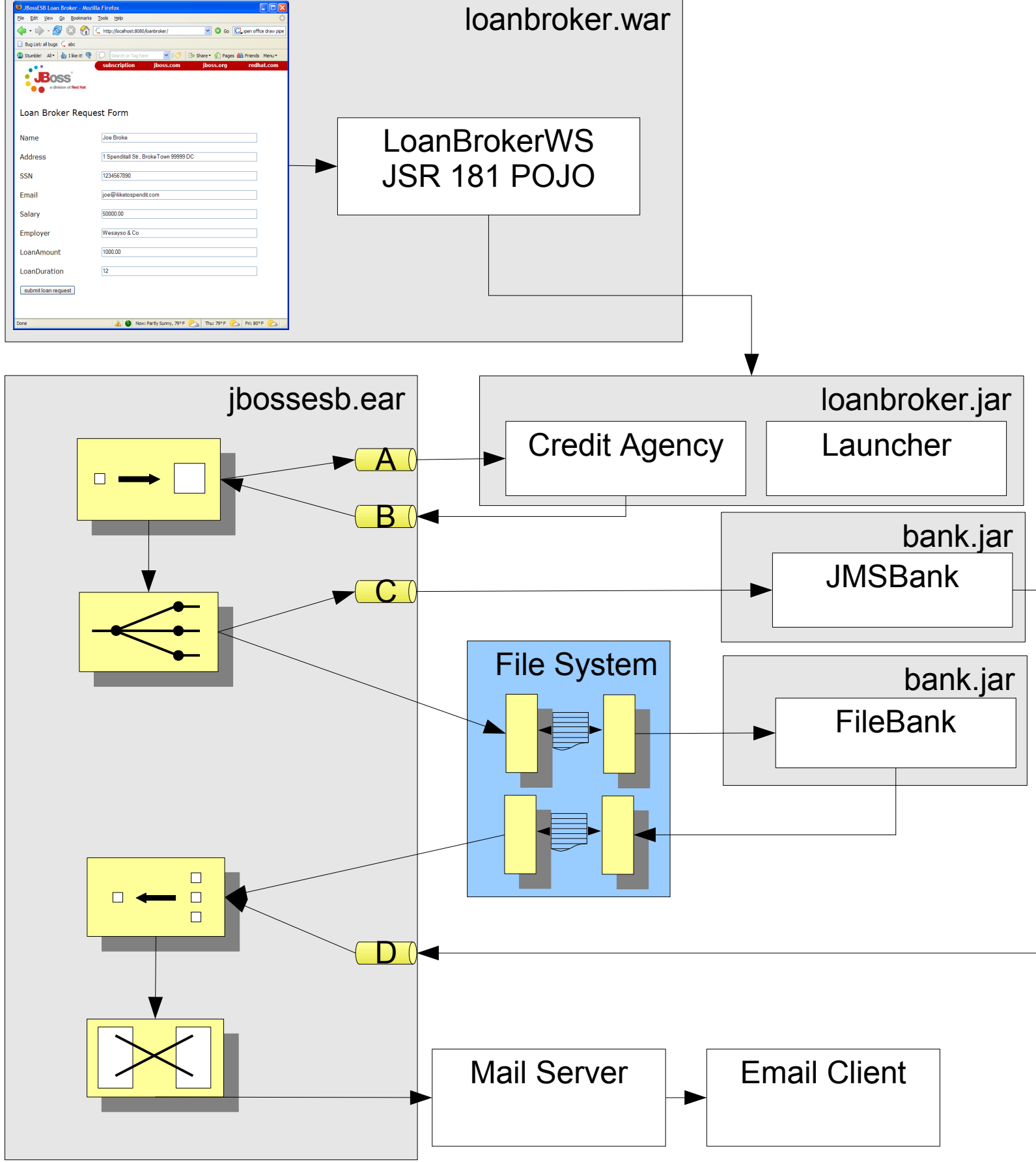


Figure 2. JBossESB LoanBroker Physical Architecture