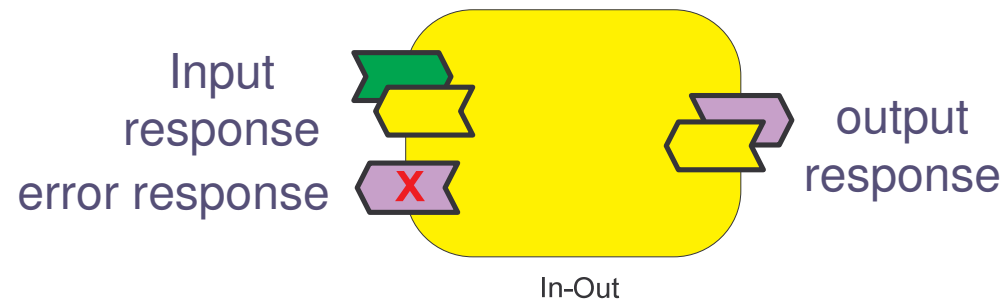
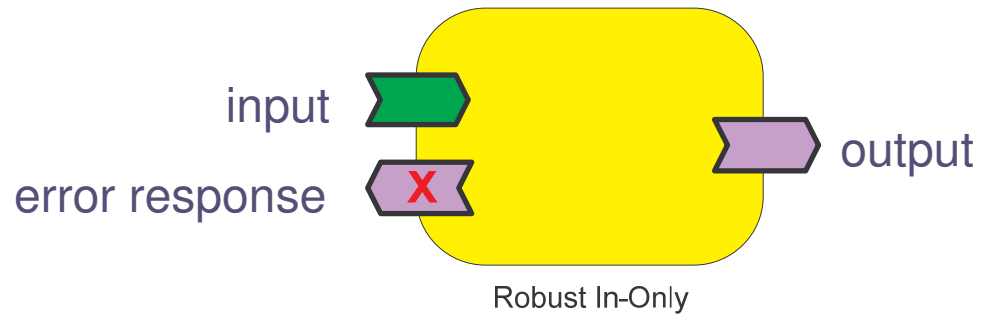
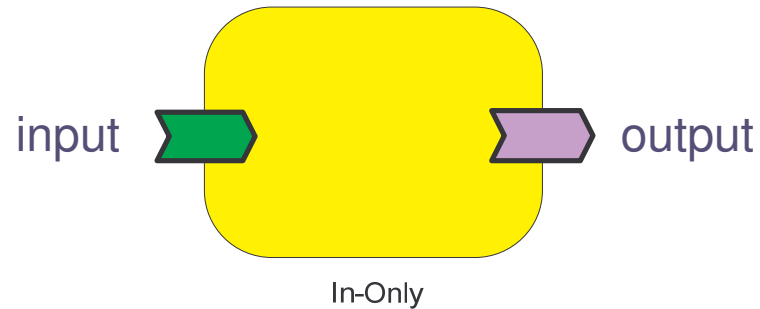
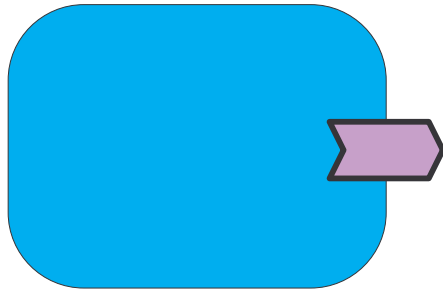


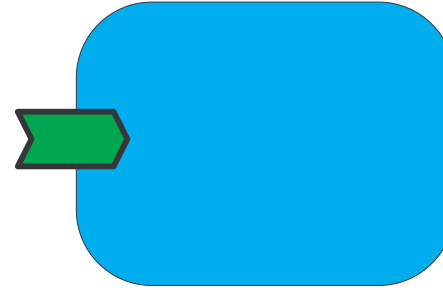
# Service Engines general representation



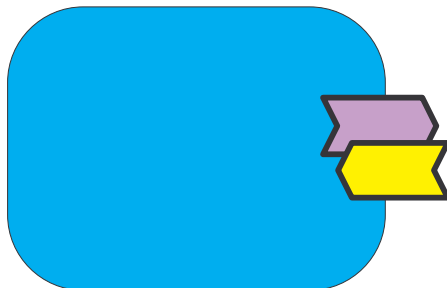
## Binding Components general representation



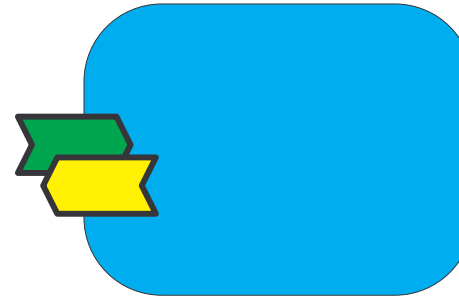
Consumer BC In-Only



Provider BC In-Only



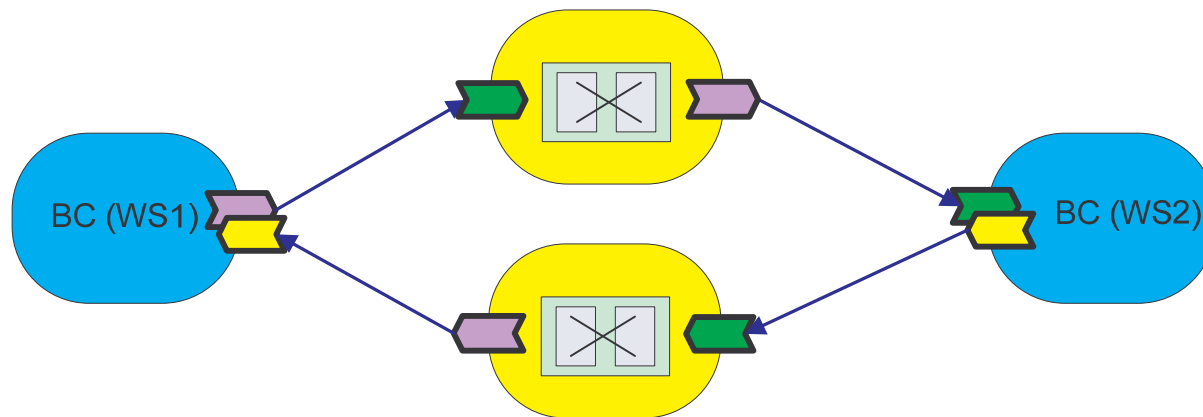
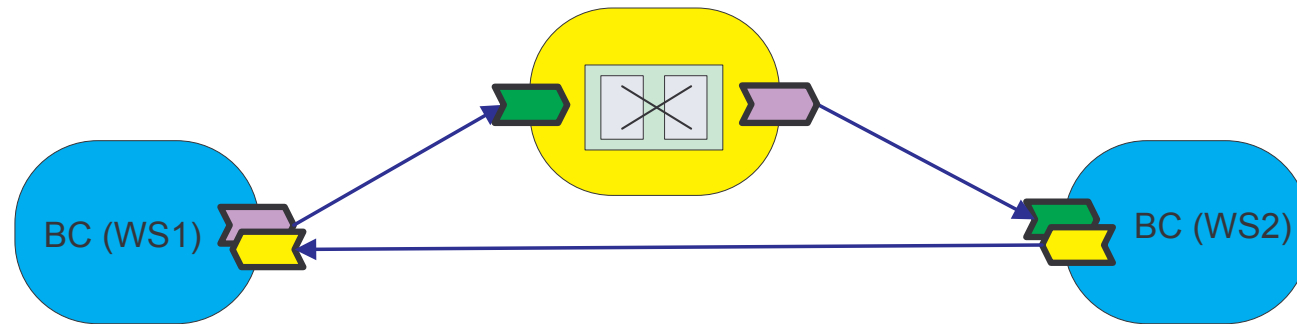
Consumer Robust In-Only  
or In-Out



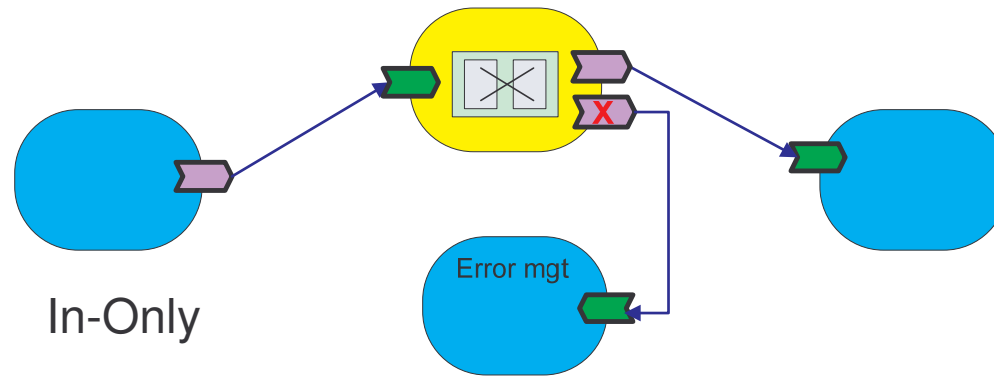
Provider BC Robust In-Only  
or In-Out

Note : error response port for BC are managed as standard responses

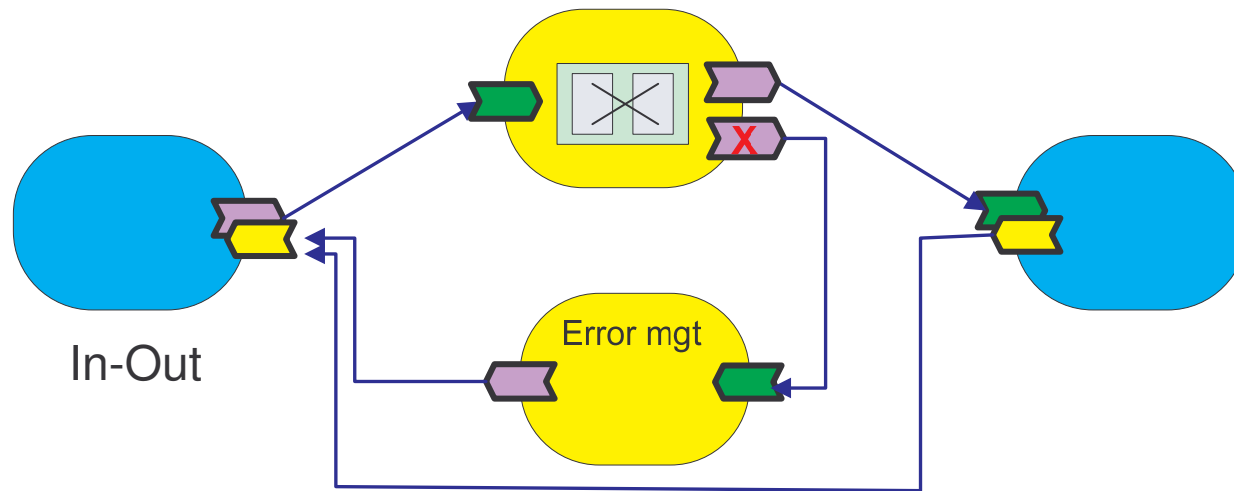
# WS Simple Bridges without errors



# WS Simple Bridge with errors : In-Only Consumer



## WS Simple Bridge with errors : In-Out Consumer



Note : errors coming from the Provider BC are routed to the Consumer BC as standard responses. The responses can also be filtered before with any SE needed.